



CAR SECURITY

SPECIFIC VEHICLE ALARM FITTING INSTRUCTIONS

REV. 00

www.cobra.it

MAKE

FORD

MOD.

GALAXY*

YEAR

02 →

PETROL
DIESEL

* Models with original equipment keyless entry system.

ALARM/SIREN POSITION

Position the compact alarms and the sirens in the engine compartment, on the panel near the battery.

CENTRAL UNIT POSITION

Position the modular systems and the modules behind the fuse box, under the dashboard, driver's side.

POWER SUPPLY

+ **30**: connect to the 4 mm² RED wire located in the black multiway connector, behind the fuse box.

- **31**: connect with a cable terminal to one of the terminals located on the bulkhead, driver's side.

IGNITION WIRE

+ **15/54**: connect to the 3 mm² YELLOW/BLACK wire located in the wiring harness under the steering column.

DIRECTION INDICATORS

Connect to the 1 mm² WHITE/BLACK wire at the position nr. 5, and GREEN/BLACK wire at the position nr. 6, located in the black connector, above on the left, in the front part of the fuse box.

ELECTRIC WINDOWS

Comfort negative control

Temporize the 1 mm² GREY wire (the same wire of the doors) located in the wiring harness coming out of the driver's side door.

ACTIVAT./DEACTIVATION CONTROLS

Connections vehicle/art. 3800

Follow **diagram nr. 142**.

Attention: the ceiling lamp switch off after about 25s.. During programming DO NOT detach the BLUE/PINK wire of the antitheft to anticipate the quick flashing of the led but wait till the automatic switch off of the ceiling lamp.

IMMOBILISATION POINT 1

Fuel pump

Cut the YELLOW/BLUE wire located at the position nr. 3 of the connector marked "G1" on the rear of the fuse box.

IMMOBILISATION POINT 2

Electronic central

Cut the RED/YELLOW wire in the 6 way connector marked "N" in the fuse box.

STARTER

+**50**: Cut the RED/BLACK wire located in the connector marked "H1" on the rear of the fuse box.

BONNET SWITCH

Install an additional switch on the right lateral bonnet stop, driver's side.

DOORS AND BOOT SWITCHES

Connect to the 1 mm² BROWN/YELLOW wire located in the black multiway connector under the left frontal part of the fuse box.



CAR SECURITY

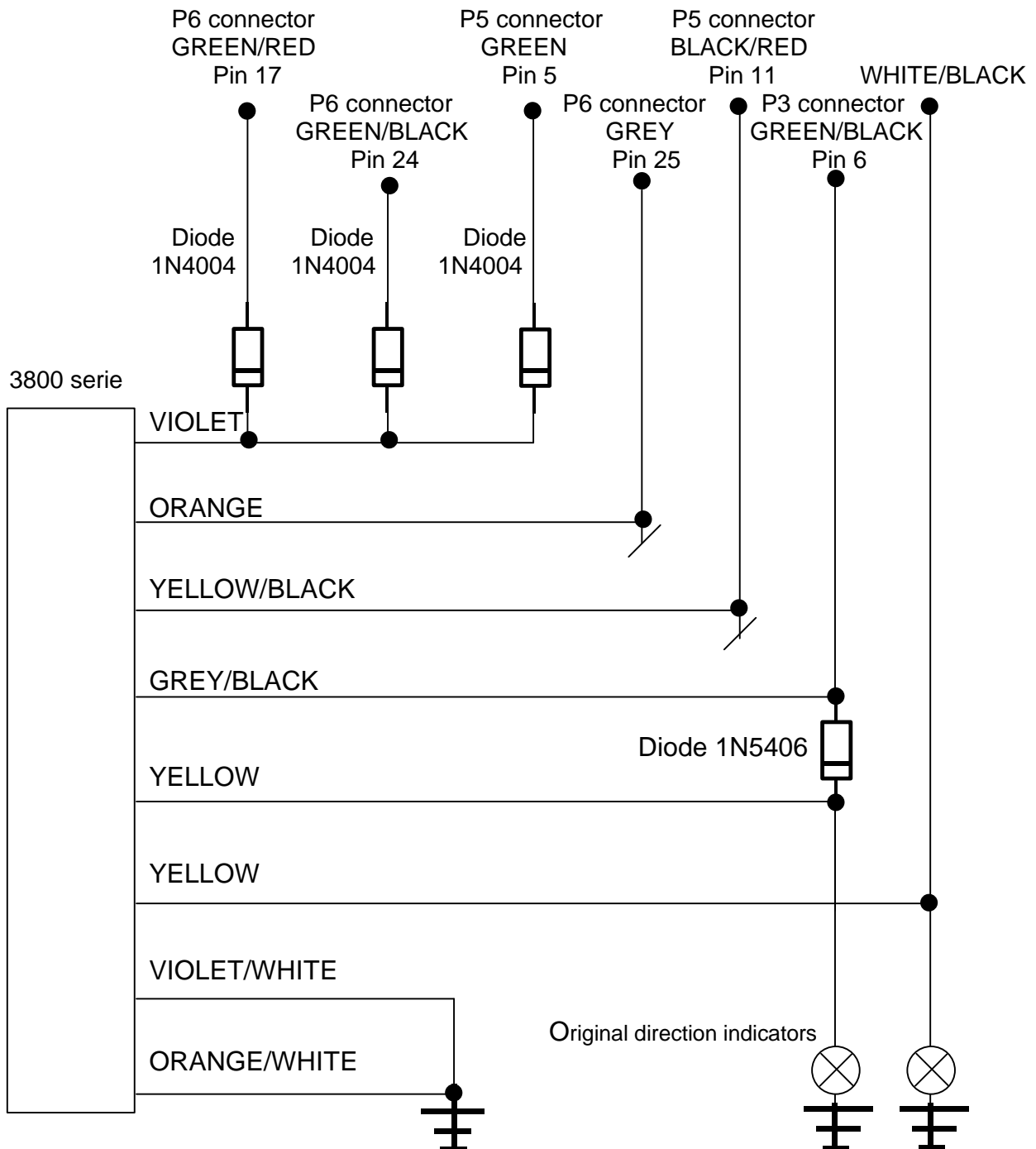
SPECIFIC VEHICLE ALARM FITTING INSTRUCTIONS

REV. 00

www.cobra.it

FITTING DIAGRAM N° 142

Diagram to connect art. 3800 on
FORD GALAXY year 2002



Note: This information is not binding, therefore it must be considered only an example for installation purposes that must be executed as per the instructions given on the product installation manual.

fogal02gbbt.doc