



## CAR SECURITY

### SPECIFIC VEHICLE ALARM FITTING INSTRUCTIONS

REV. 00

www.cobra.it

MAKE

**CITROEN**

MOD.

**XSARA 2**

YEAR.

**02** →

PETROL   
DIESEL

<b>ALARM/SIREN POSITION</b>	Position the compact alarms and the sirens on the dome of the shock absorber, passenger's side.
<b>CENTRAL UNIT POSITION</b>	Position the modular systems and the modules under the dashboard, driver's side.
<b>POWER SUPPLY</b>	+ <b>30</b> : connect to the 3 mm <sup>2</sup> RED wire located at the entrance of the fuse box. - <b>31</b> : connect with a cable terminal to one of the original ground wire located on the right of the BSI operating central.
<b>IGNITION WIRE</b>	+ <b>15/54</b> : connect to the wire, at the position nr. 16, coming out of the 26 way blue connector of the BSI operating central.
<b>DIRECTION INDICATORS</b>	Connect to the wires at the positions nr.13 and nr.14 coming out of a 16 way black connector of the BSI operating central.
<b>ELECTRIC WINDOWS</b>	<b>Positive control signal</b> <b>Front window, driver's side:</b> refer to the <b>diagram nr. 113</b> . <b>Front window, passenger's side:</b> refer to the <b>diagram nr. 113</b> . <b>Rear window, driver's side:</b> cut the wire located at the position nr. 3, in the 16 way grey connector. <b>Rear window, passenger's side:</b> cut the wire located at the position nr. 4, in the 16 way grey connector.
<b>CENTRAL DOORS LOCKING</b>	<b>Original door motor control signal</b> For antithefts of the Bridge serie, refer to the <b>diagram nr.102</b> ; for antithefts of the 3100 serie refer to the <b>diagram nr.102A</b> .
<b>IMMOBILISATION POINT 1</b>	<b>Fuel pump</b> Cut the YELLOW wire located in a wiring harness coming out of the connector of the inertial switch placed on the shock absorber support, passenger's side.
<b>IMMOBILISATION POINT 2</b>	<b>General underlock</b> Cut the wire located at the position nr. 16 coming out of the 26 way blue connector of the BSI central.
<b>STARTER</b>	+ <b>50</b> : Cut the YELLOW wire located in a flying wiring harness placed on the rear of the cover of the fuse box.
<b>BONNET SWITCH</b>	Install an additional switch on the front headlamp support plate, driver's side.
<b>DOORS SWITCH</b>	Connect to the wire at the position nr. 23 of the 26 way blue connector of the BSI operating central. <b>Note: the lamp control is with positive polarity.</b>



CAR SECURITY

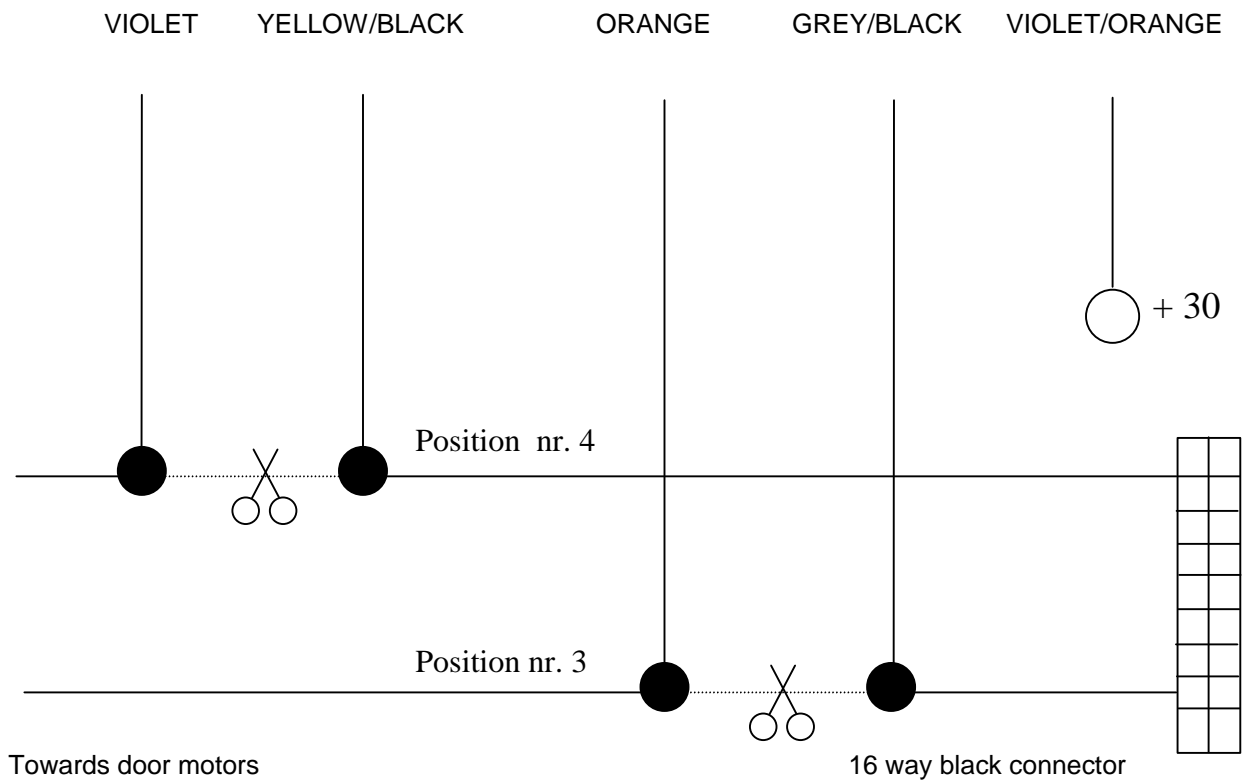
SPECIFIC VEHICLE ALARM FITTING INSTRUCTIONS

REV. 00

www.cobra.it

FITTING DIAGRAM N° 102

Diagram to make the lock and unlock of the doors on  
**Citroen XSARA 2** year 2002  
(for Bridge serie antithefts)





CAR SECURITY

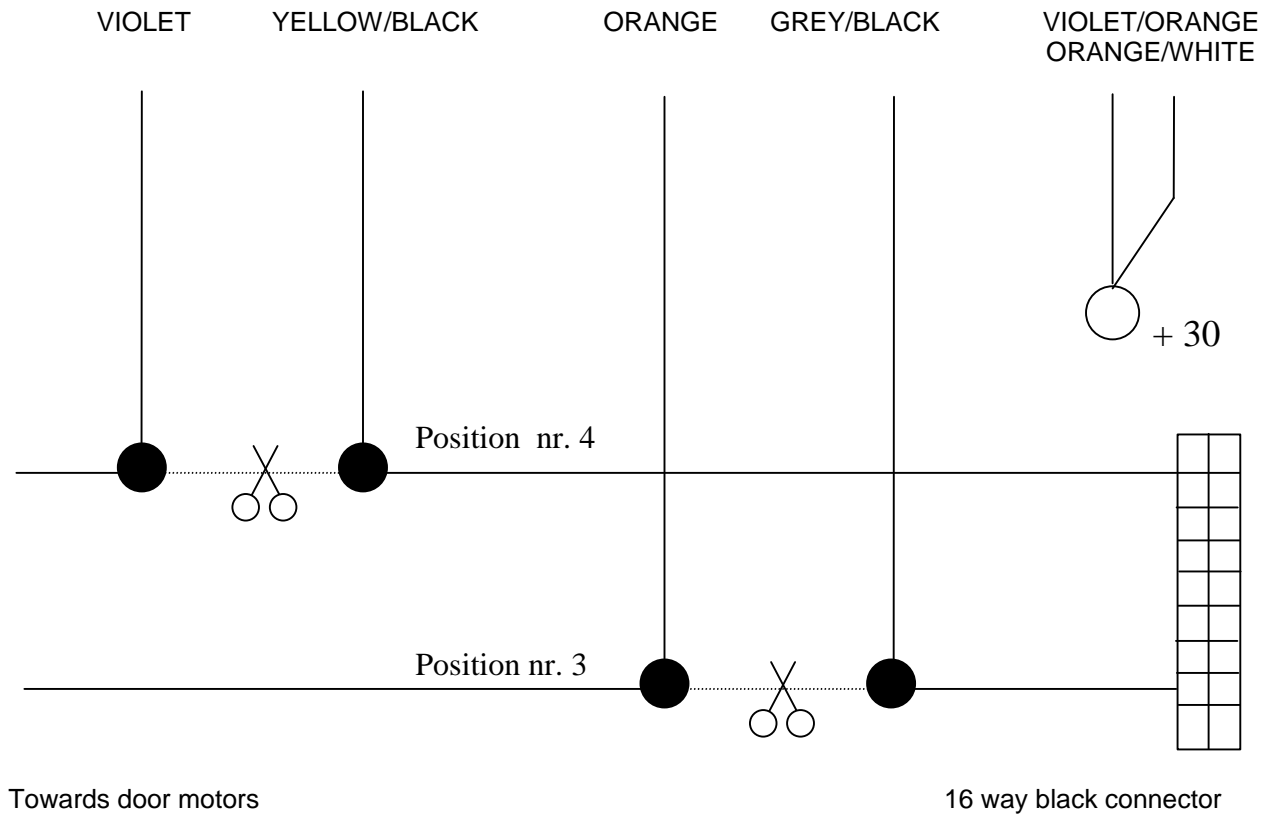
SPECIFIC VEHICLE ALARM FITTING INSTRUCTIONS

REV. 00

www.cobra.it

FITTING DIAGRAM N°102A

Diagram to make the lock and unlock of the doors on  
**Citroen XSARA 2 year 2002**  
(for 3100 serie antithefts)





CAR SECURITY

SPECIFIC VEHICLE ALARM FITTING INSTRUCTIONS

REV. 00

www.cobra.it

FITTING DIAGRAM N° 113

Diagram for windows connection on  
**CITROEN XSARA 2 year 2002**

Diagram for windows locking using the BROWN/WHITE wire of the autodriven Bridge serie antithefts.

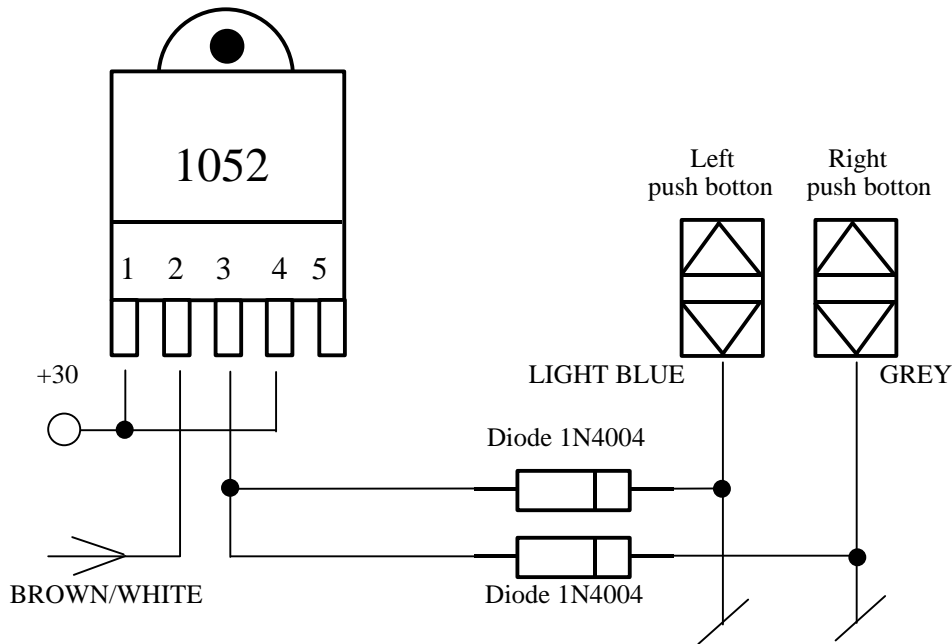


Diagram for windows locking using the BROWN wire of the no autodriven Bridge serie, 3100 e 3800 antithefts.

