

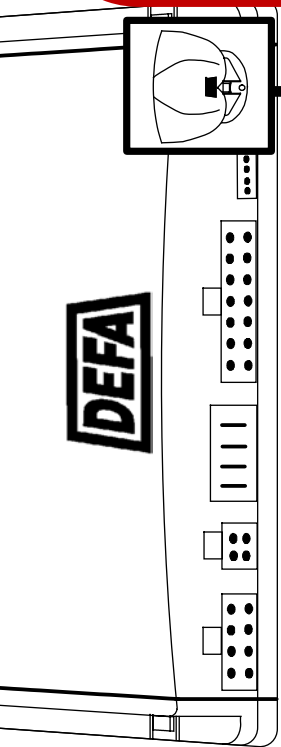
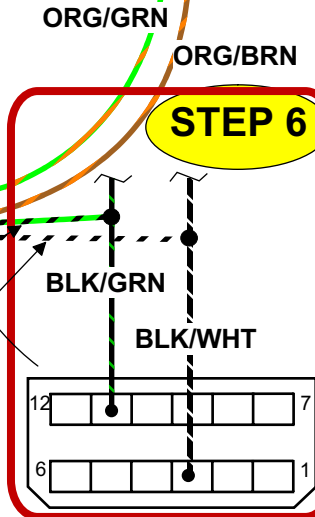
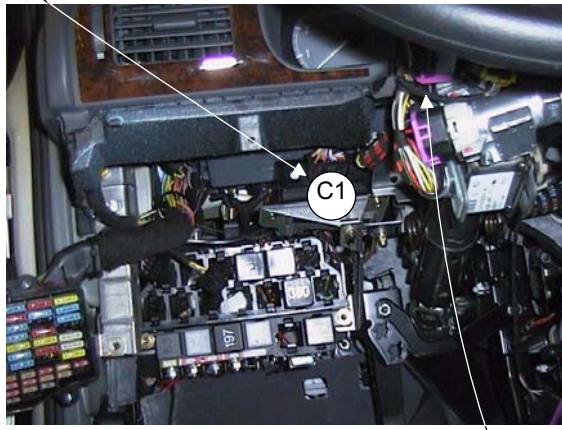
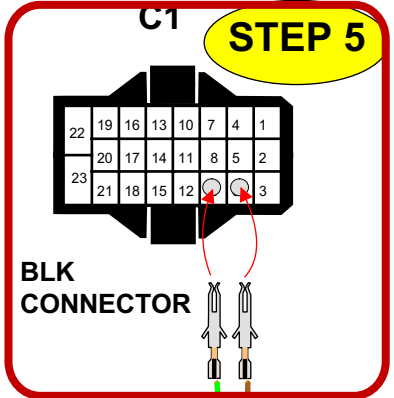
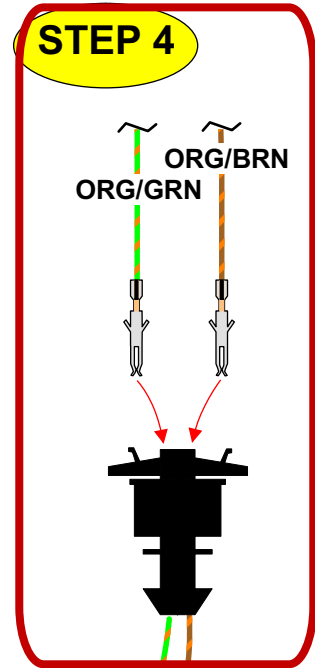
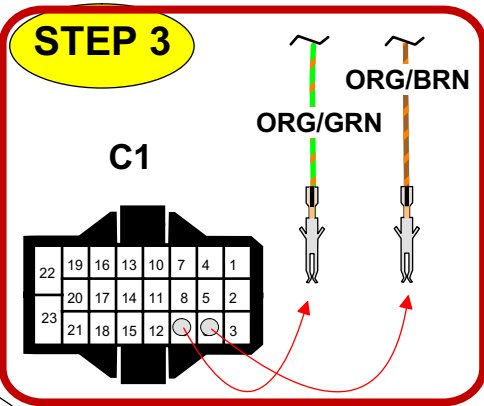
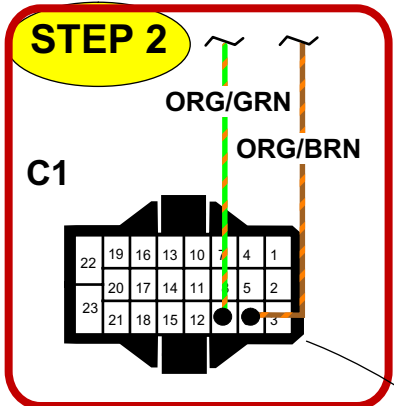
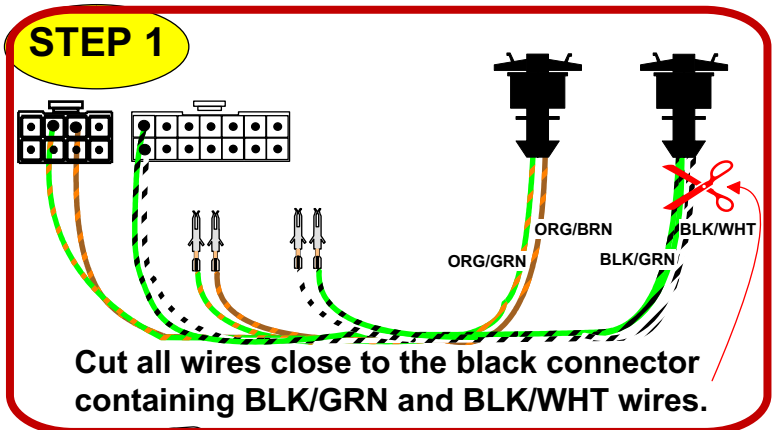
REQUIRED:

- Central unit rev: C →
- Car Specific Wire Harness (1 x 600618)

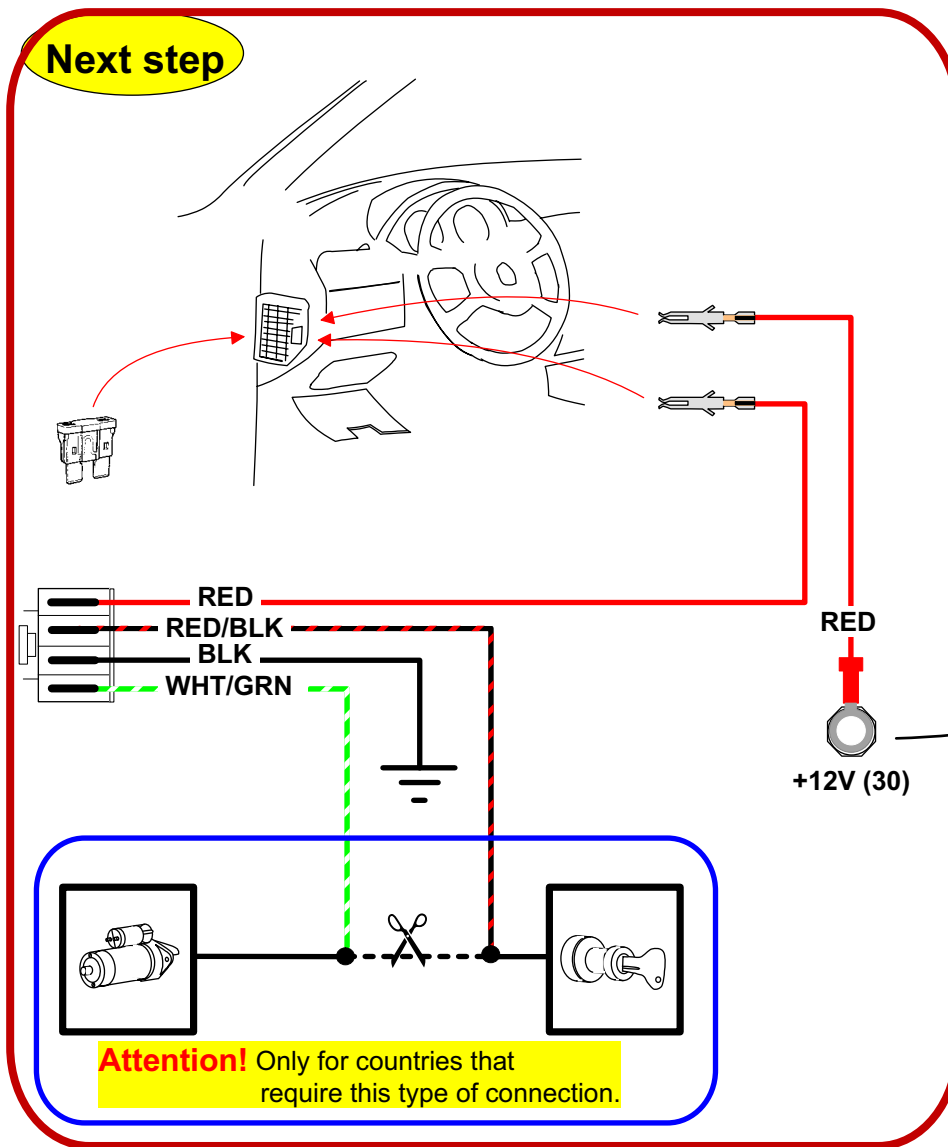
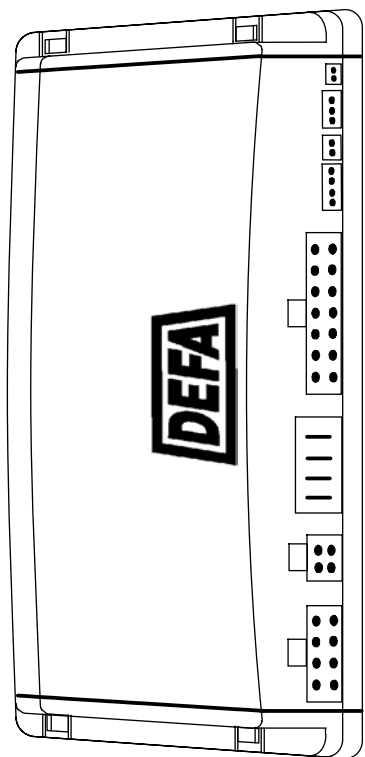
Attention!
If only C1 is located on the black box, skip this page.

Attention! This installation diagram must only be used as a guideline for the installation. Equipment delivered with the car varies considerably from model to model and from market to market. Before starting the installation, be sure to check carefully the original diagram from the car manufacturer. DEFA A.S is not liable to compensate for possible damages that may occur due to faulty or insufficient installation manuals.

Date : 03. 04. 24.
Rev : A
Page: 1 of 6.



Attention!
If both C1 and C2 are located on the black box, skip this page.

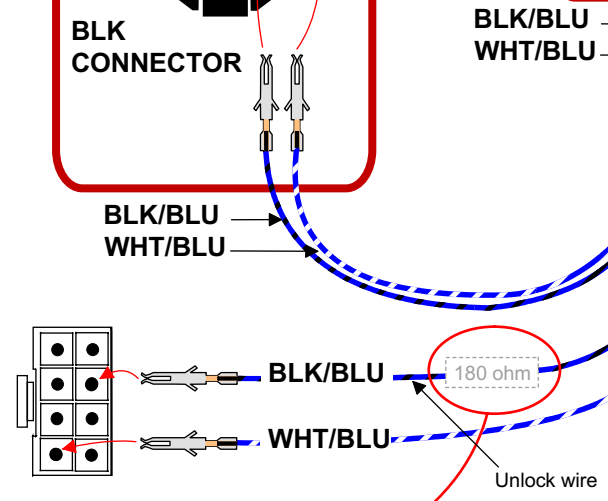
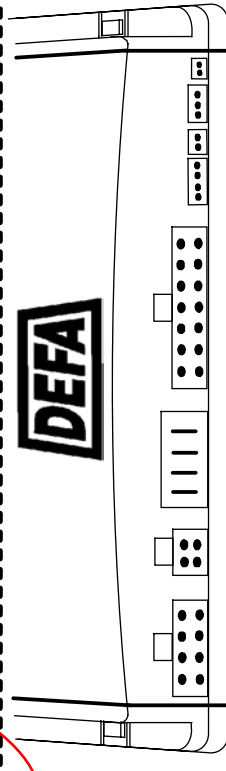
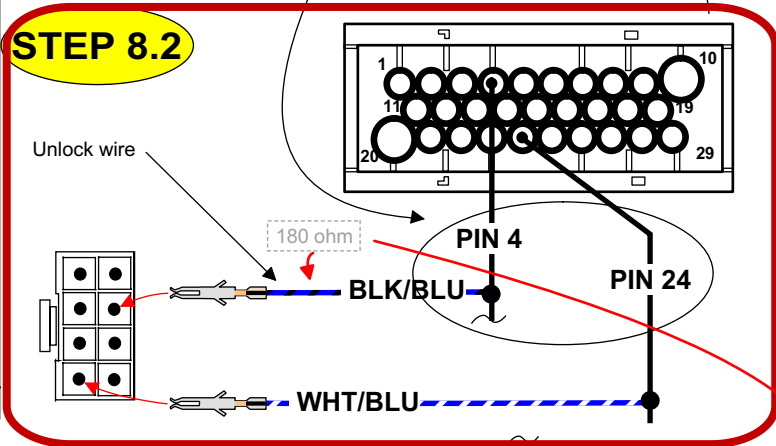
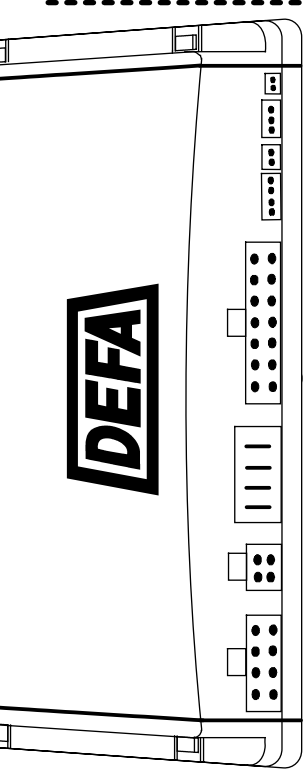
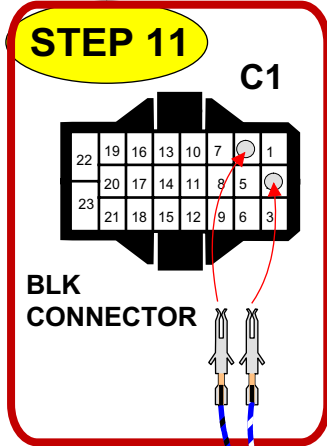
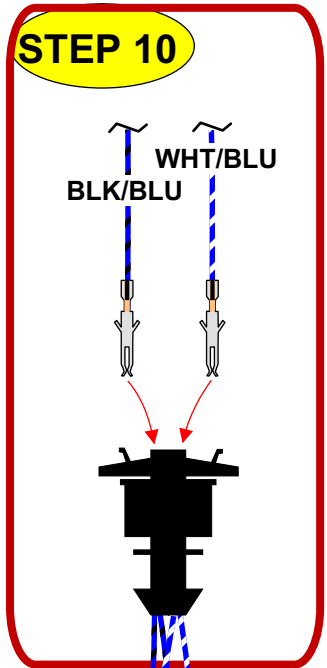
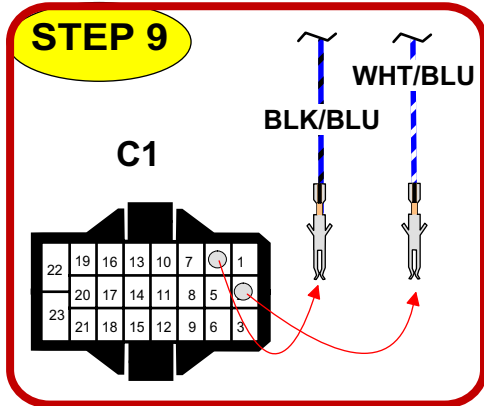
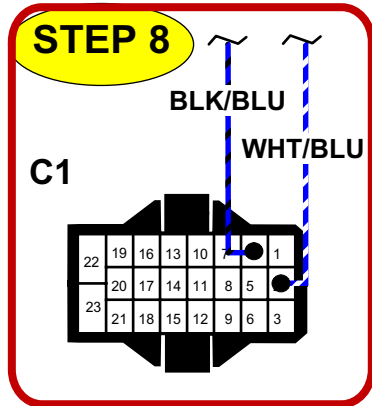


Attention!
For 1998 - 2001; go to step 8.
(skip 8.1 and 8.2).
For 2001 and later; go to step 8.1.
(skip step 8,9,10 and 11).

Attention! Only when using the DEFA remote control the connections on this page are needed.

Attention!
For 1998 - 2001;
go to step 8.
(skip 8.1 and 8.2).

For 2001 and later;
go to step 8.1.
(skip step 8.9,10
and 11).



STEP 8.1 Cut all wires close to the black connector containing BLK/BLU and WHT/BLU wires. See page 2 step 1.

NOTE !
Some models need a 180 Ohm resistor.
If the voltage on the unlock wire is approx.3,6V while unlocking, a 180 Ohm resistor is needed.

Date : 03. 04. 24.
Rev : A
Page: 4 of 6.

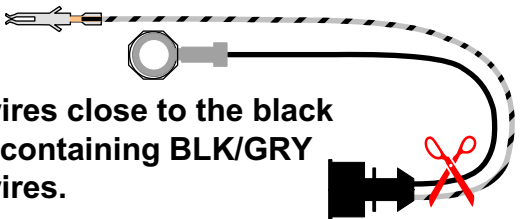
Attention! Connect CAN wires before Trunk and Hood switch. If Trunk and Hood are responding via CAN, the connections on this page are NOT needed.

Attention! If equipped with original hood switch, follow the diagram below.

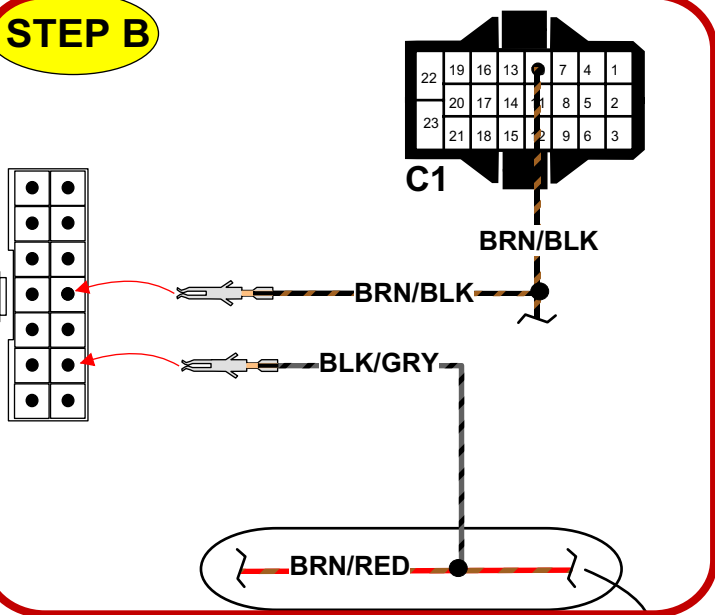
Attention! If NOT equipped with original hood switch, follow the diagram below.

STEP A

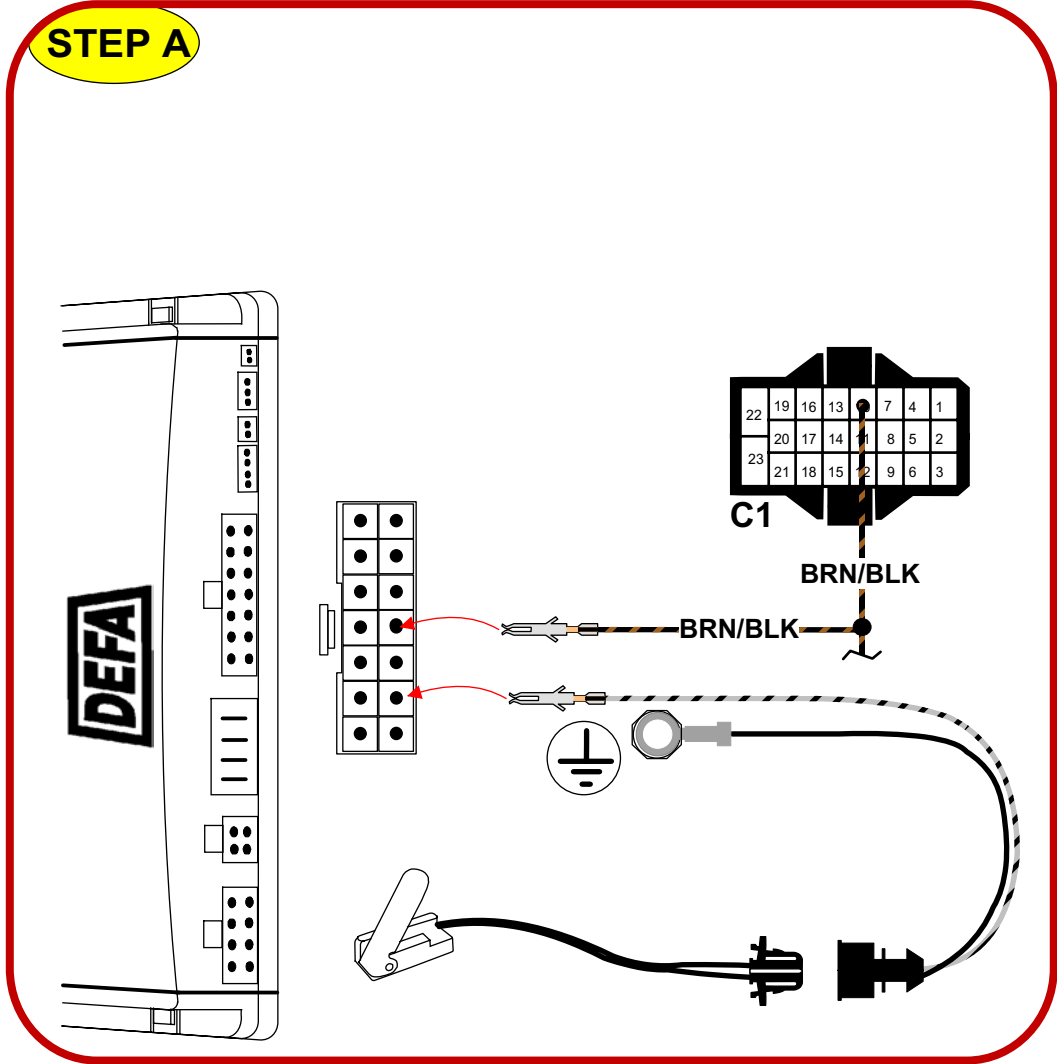
Cut both wires close to the black connector containing BLK/GRY and BLK wires.

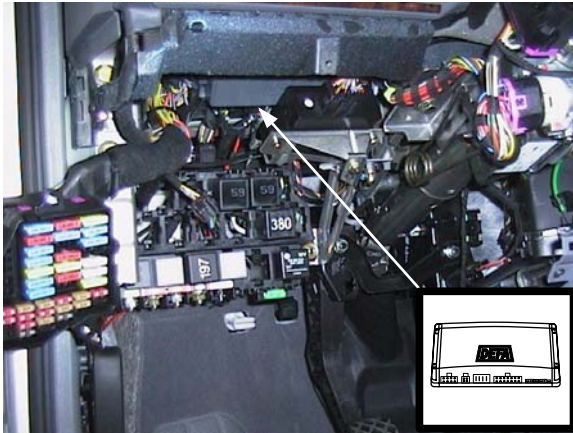


STEP B



STEP A





TDI engine

