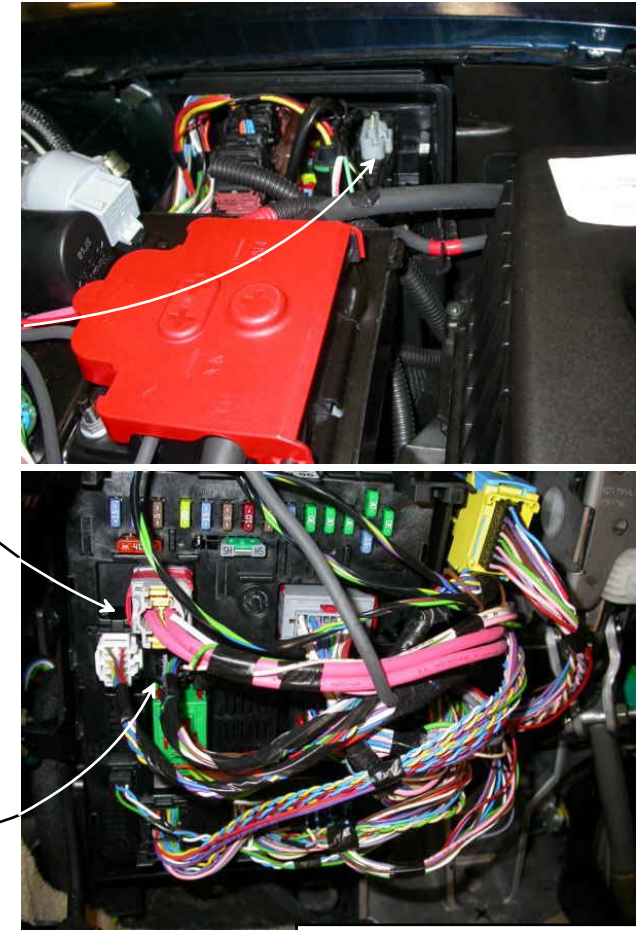
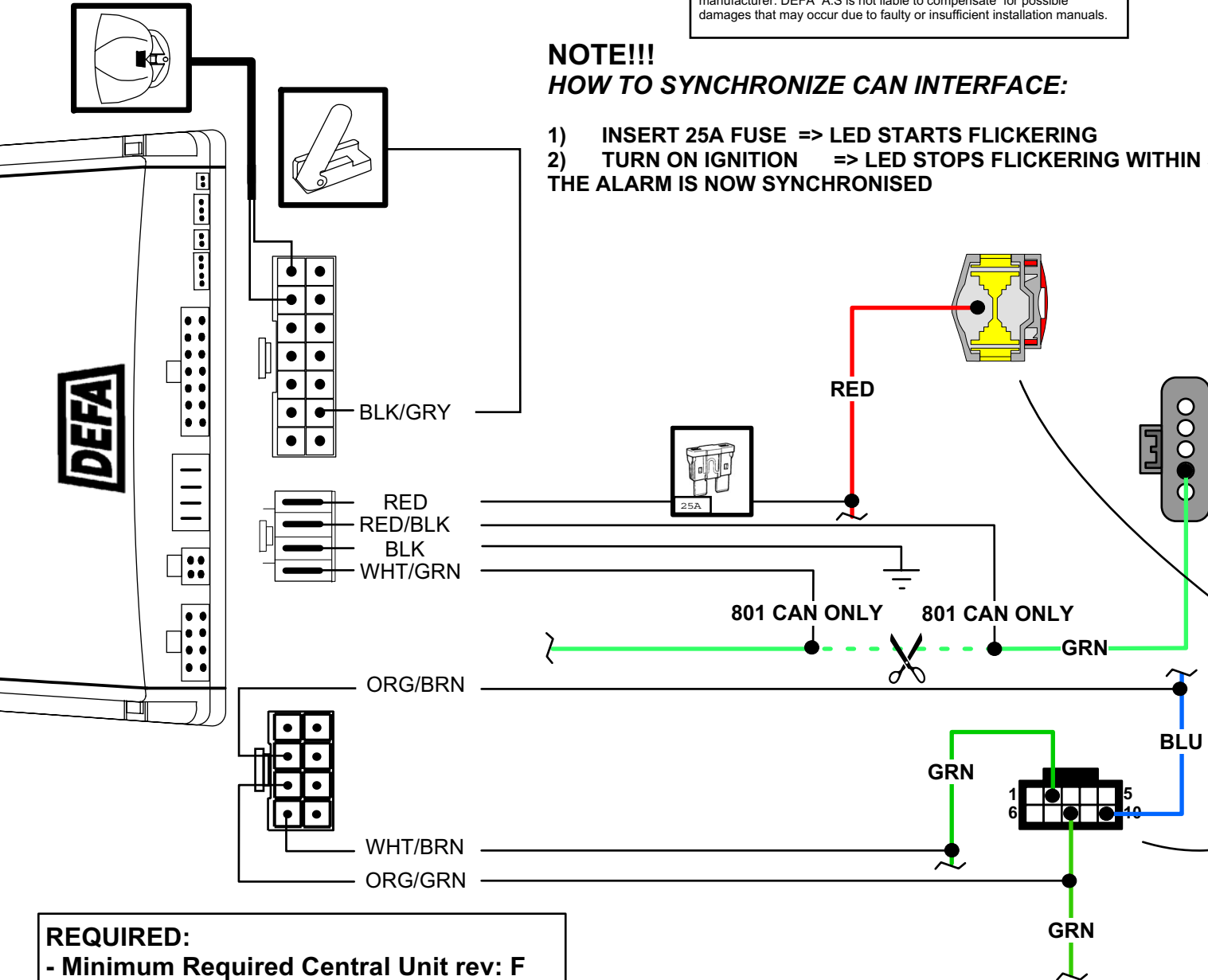


NB ! This installation diagram must only be used as a guideline for the installation. Equipment delivered with the car varies considerably from model to model and from market to market. Before starting the installation, be sure to check carefully the original diagram from the car manufacturer. DEFA A.S is not liable to compensate for possible damages that may occur due to faulty or insufficient installation manuals.

NOTE!!!

HOW TO SYNCHRONIZE CAN INTERFACE:

- 1) INSERT 25A FUSE => LED STARTS FLICKERING
- 2) TURN ON IGNITION => LED STOPS FLICKERING WITHIN 30 SECONDS
THE ALARM IS NOW SYNCHRONISED



REQUIRED:
- Minimum Required Central Unit rev: F
- Minimum Required SoftWare: SSW_607

Date : 2006.05.04
Rev : B
Page: 1 of 2

