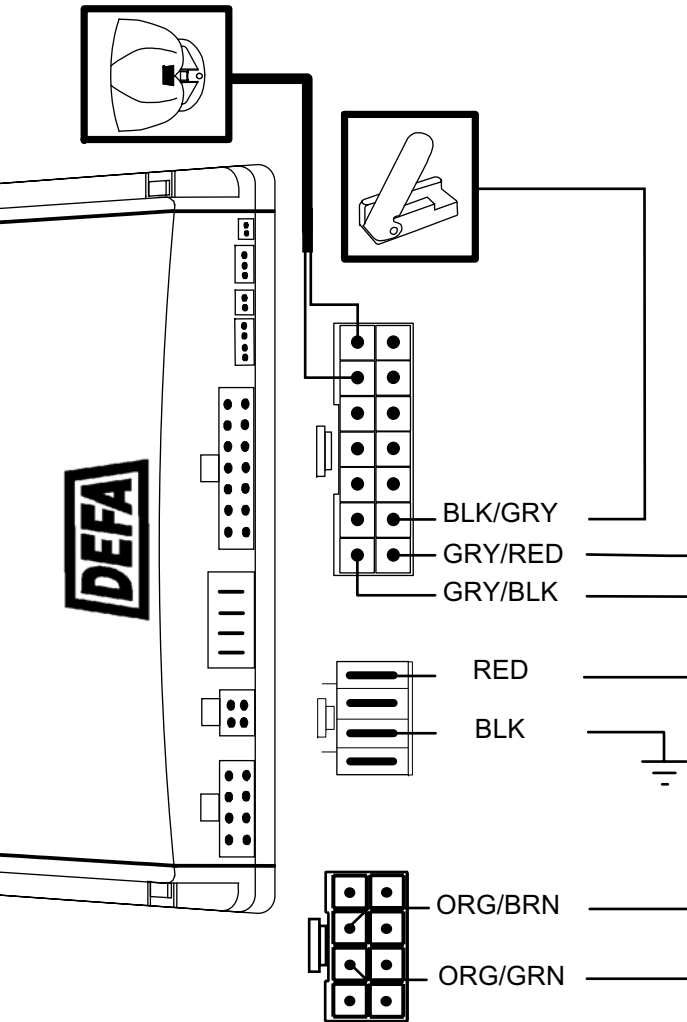
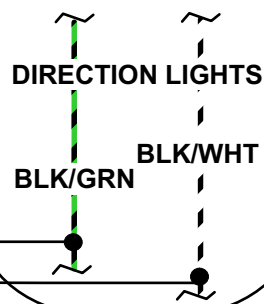


NB ! This installation diagram must only be used as a guideline for the installation. Equipment delivered with the car varies considerably from model to model and from market to market. Before starting the installation, be sure to check carefully the original diagram from the car manufacturer. DEFA A.S is not liable to compensate for possible damages that may occur due to faulty or insufficient installation manuals.

ATTENTION!
There are more than one BLK/GRN and one BLK/WHT wire in this wire harness.
GRY/RED and GRY/BLK wire must be mounted to the direction lights.

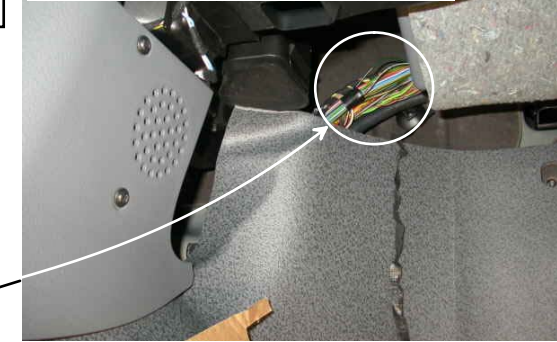


ORG. SPARE FUSE

OR:

SUPPLY TO FUSE BOX

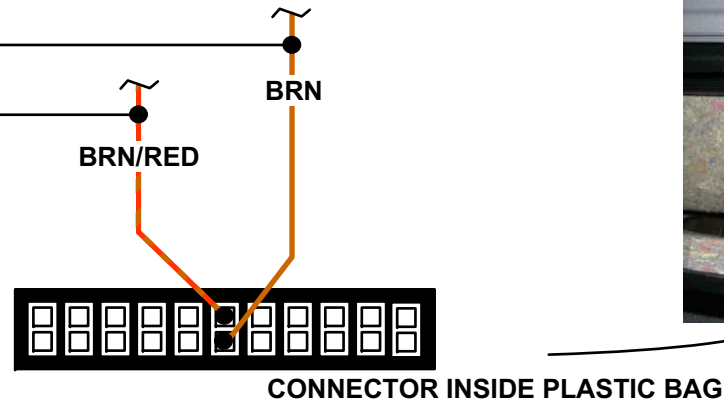
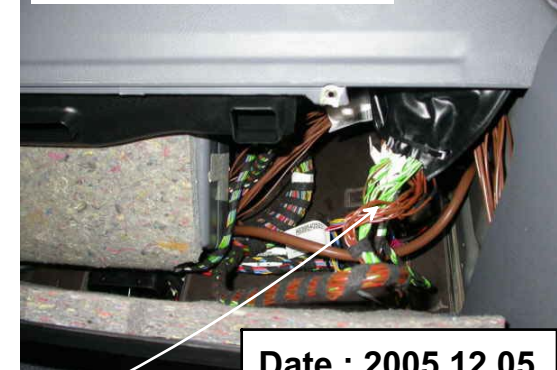
PASSENGER SIDE FLOOR WIRES FROM FUSE BOX ENGINE



FUSE BOX ENGINE



BEHIND RIGHT KICK PANEL



REQUIRED:

- Central unit rev: G
- Minimum Required SoftWare 09-1

