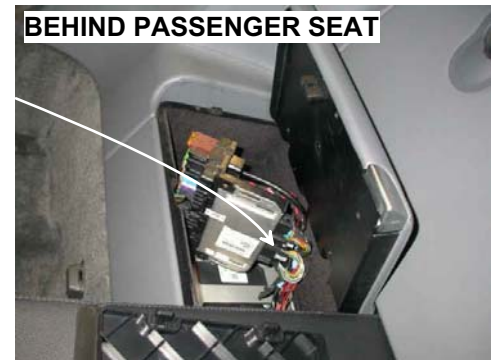
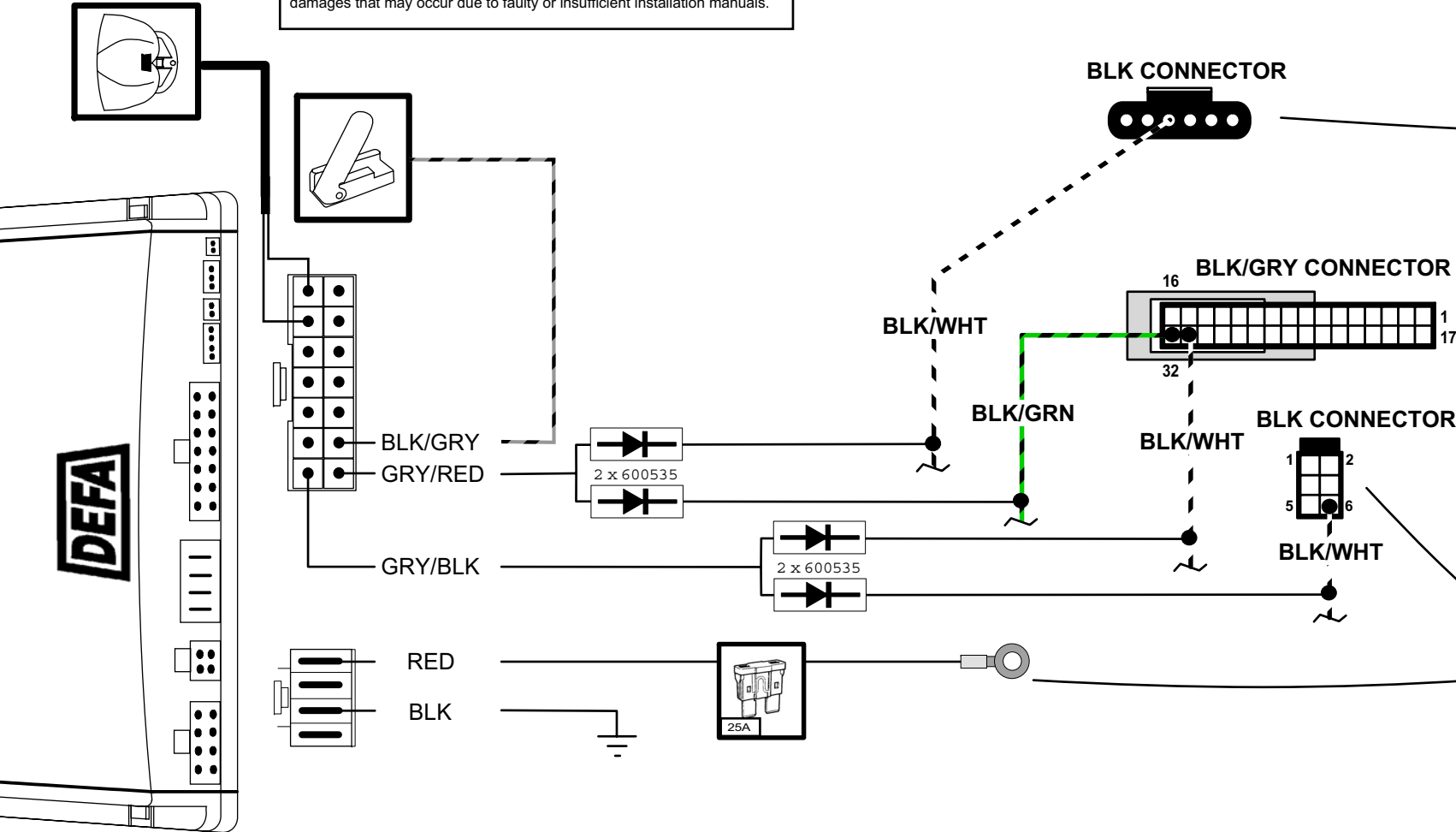


NB ! This installation diagram must only be used as a guideline for the installation. Equipment delivered with the car varies considerably from model to model and from market to market. Before starting the installation, be sure to check carefully the original diagram from the car manufacturer. DEFA AS is not liable to compensate for possible damages that may occur due to faulty or insufficient installation manuals.



REQUIRED:

- Minimum Required Central unit rev: H
- SoftWare: SSW for Porsche Cayenne and Mercedes SL
(Download from www.defa.com/flash)
- 4 Diodes: 1 x 600535 including 4 diodes

NOTE!!!

HOW TO SYNCHRONIZE CAN INTERFACE:

- 1) INSERT 25A FUSE => LED WILL START FLICKERING
 - 2) PRESS UNLOCK BUTTON ON REMOTE SEVERAL TIMES
=> LED WILL STOP FLICKERING WITHIN 30 SECONDS
- THE ALARM IS NOW SYNCHRONIZED

TO ARM WITHOUT SENSORS:

TURN ON AND OFF IGNITION FOR LESS THAN TWO SECONDS.
PRESS ARM-BUTTON ON REMOTE ONCE.

