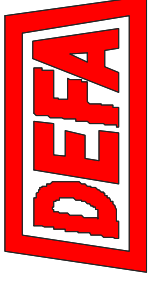
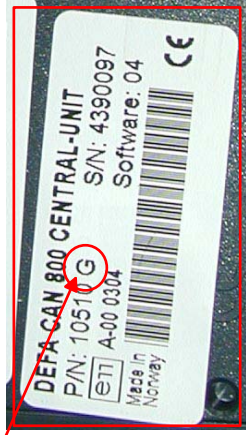


Attention!!



AUTHOR: Knut O. Malme	REVISION / DATE: PA1 / 041109	APPROVAL:
--------------------------	----------------------------------	-----------

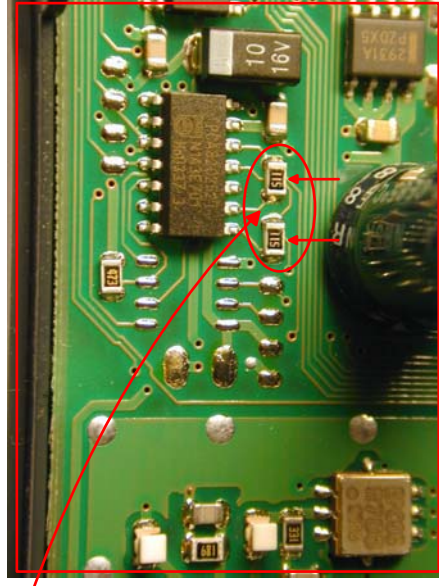
If you are going to install a G-version of the central unit; please read this page.
If not; skip this page.



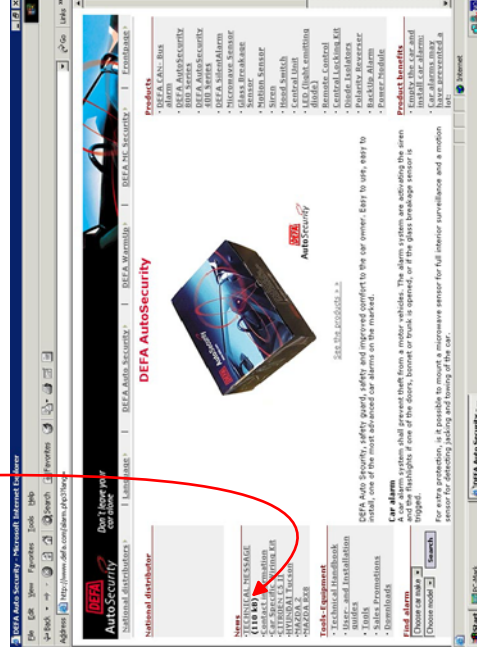
Some F alarm central units have entered the marked as G-versions. Open the G central unit to decide the real version of the central unit.

Have a look at the marking of the resistors on the picture below.
Marking:

511 => F-version. Follow the installation description for the F-version on the following pages.
332 => G-version. Follow the installation description for the G-version on the following pages.



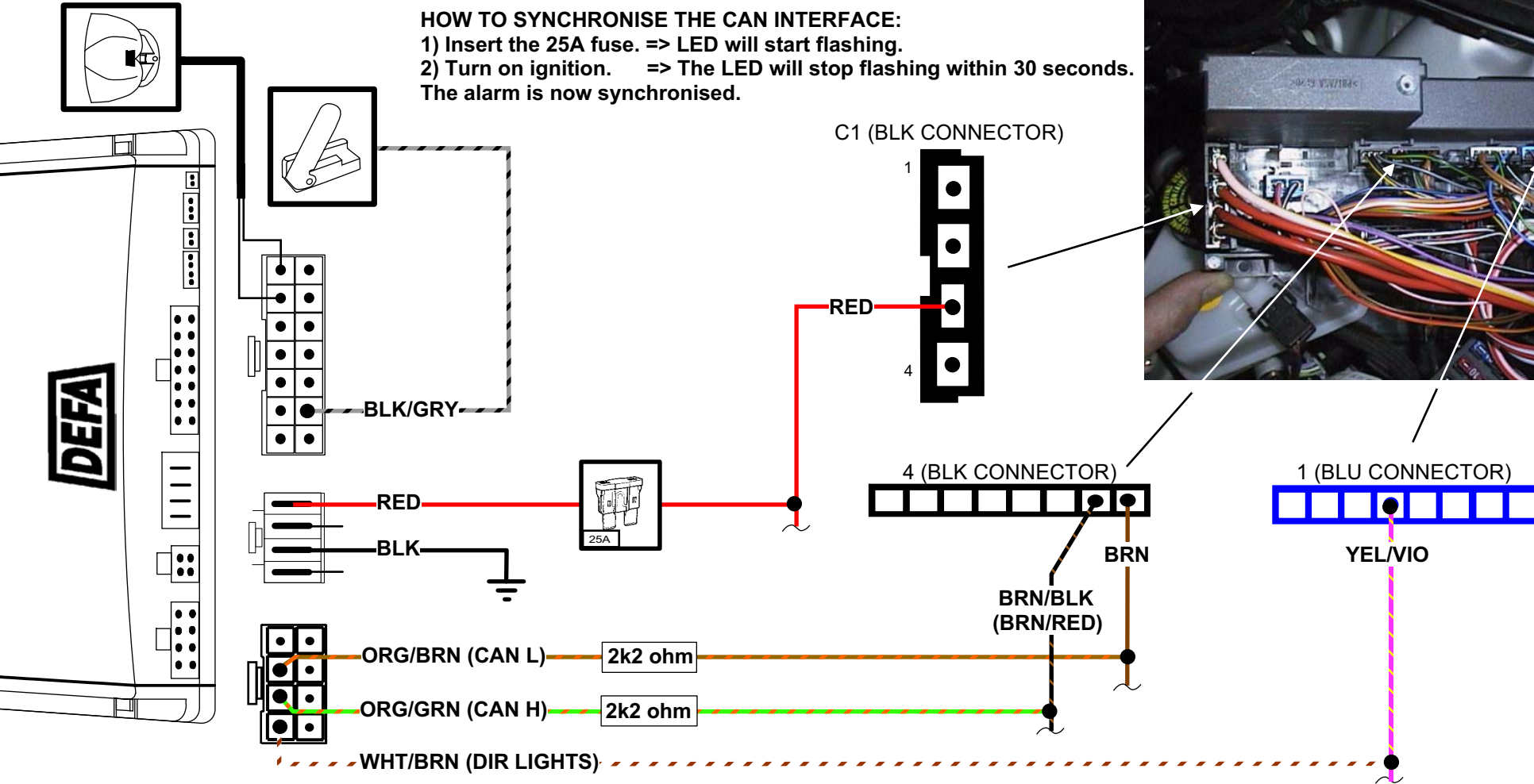
For more information read [Technical Message No. 11. 2004. \(www.defa.com\)](http://www.defa.com).



NB ! This installation diagram must only be used as a guideline for the installation. Equipment delivered with the car varies considerably from model to model and from market to market. Before starting the installation, be sure to check carefully the original diagram from the car manufacturer. DEFA A.S is not liable to compensate for possible damages that may occur due to faulty or insufficient installation manuals.

HOW TO SYNCHRONISE THE CAN INTERFACE:

- 1) Insert the 25A fuse. => LED will start flashing.
- 2) Turn on ignition. => The LED will stop flashing within 30 seconds. The alarm is now synchronised.



Fuse box, engine compartment



REQUIRED:
- Central unit rev: A => F.

OR:

REQUIRED:
- Minimum central unit rev: G
- Minimum software rev: 02-4
- Resistors (2 x 2k2 ohm (1 x 600640))

Date : 2004.11.12
Rev : D
Page: 1 of 2

