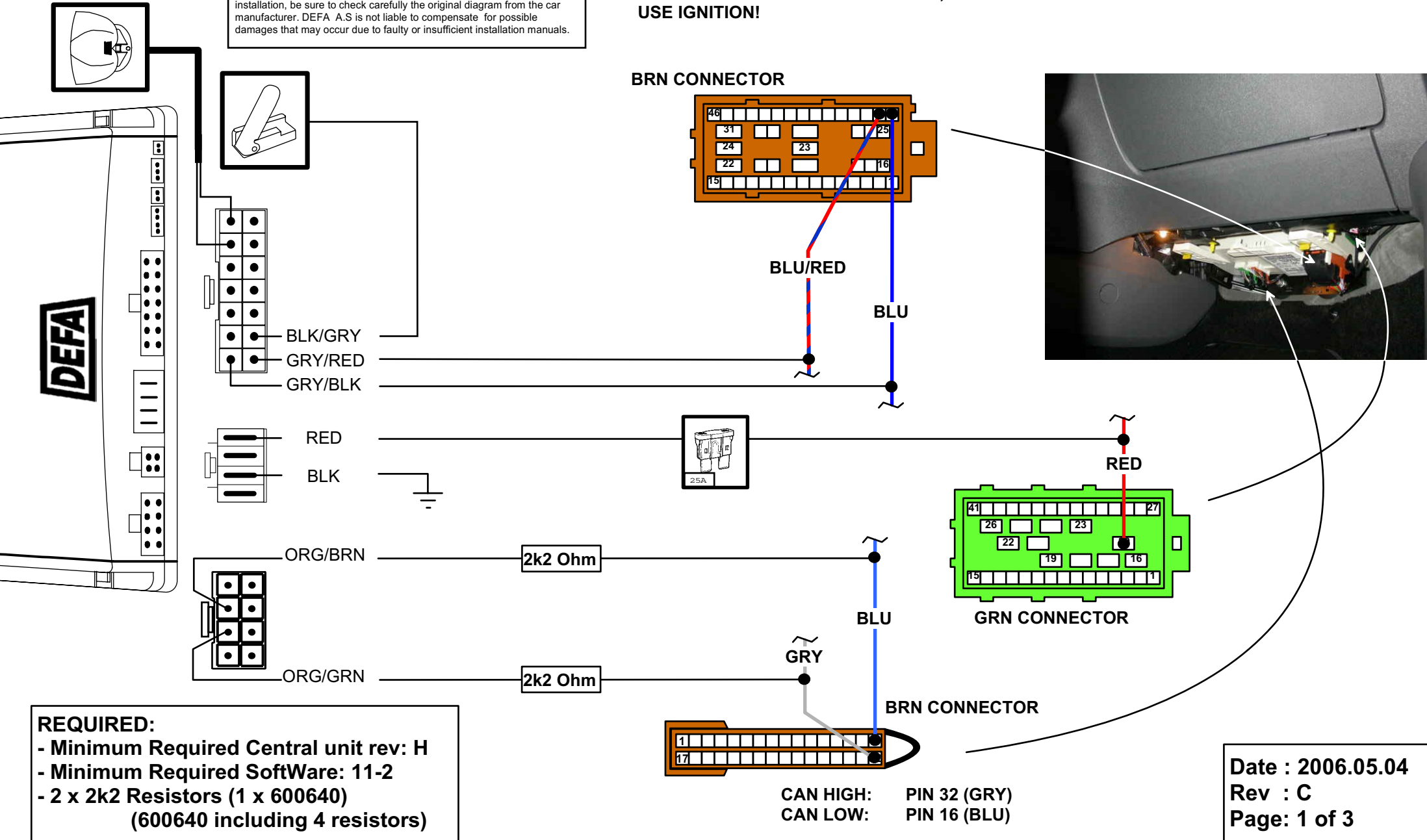


NB ! This installation diagram must only be used as a guideline for the installation. Equipment delivered with the car varies considerably from model to model and from market to market. Before starting the installation, be sure to check carefully the original diagram from the car manufacturer. DEFA A.S is not liable to compensate for possible damages that may occur due to faulty or insufficient installation manuals.

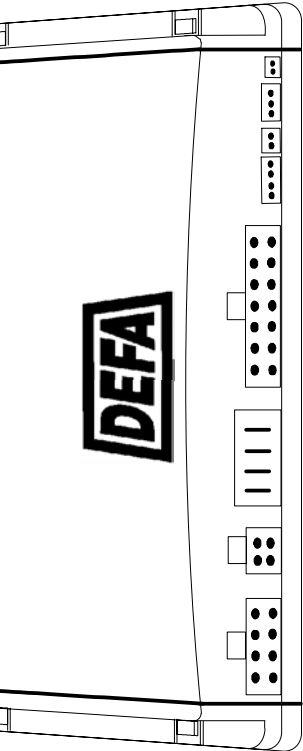
NOTE:
TO SYNCHRONISE CAN INTERFACE;
USE IGNITION!



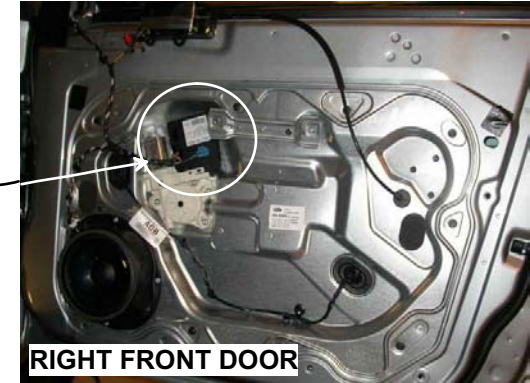
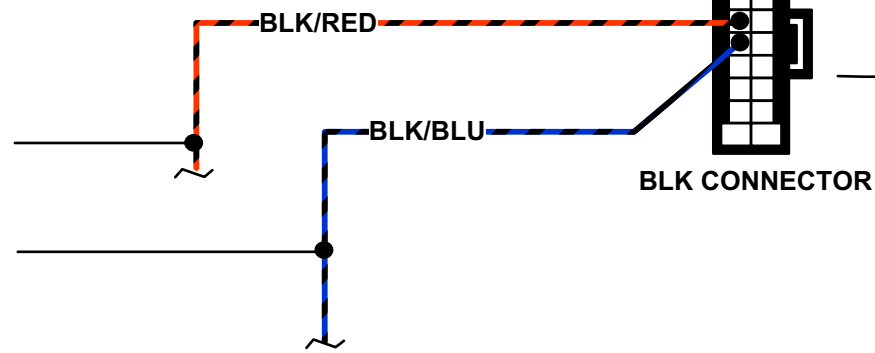
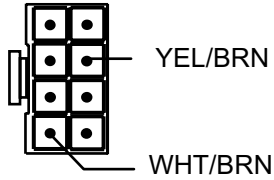
REQUIRED:
 - Minimum Required Central unit rev: H
 - Minimum Required SoftWare: 11-2
 - 2 x 2k2 Resistors (1 x 600640)
 (600640 including 4 resistors)

CAN HIGH: PIN 32 (GRY)
 CAN LOW: PIN 16 (BLU)

Date : 2006.05.04
 Rev : C
 Page: 1 of 3

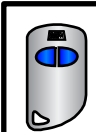
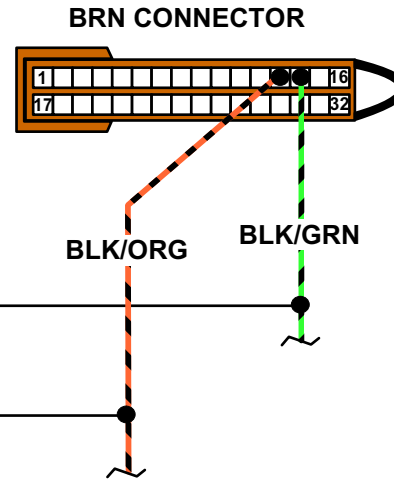
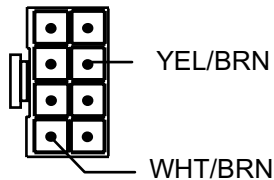


CONNECTOR P1



OR:

CONNECTOR P1



For hardware rev. J and later !
Programming:
- PROG NR: 8.2.
- PROG NR: 15.1.

