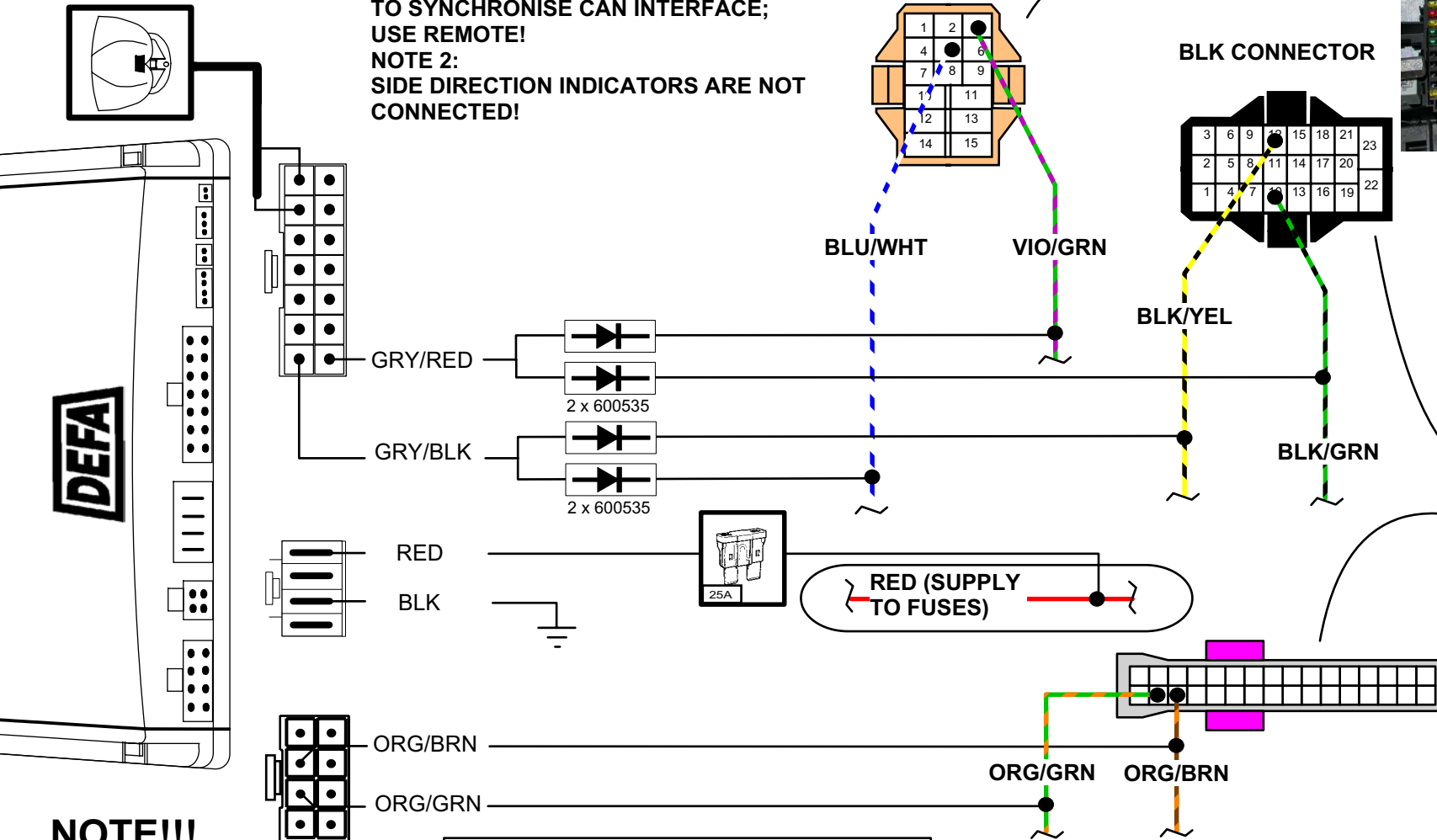


NB! This installation diagram must only be used as a guideline for the installation. Equipment delivered with the car varies considerably from model to model and from market to market. Before starting the installation, be sure to check carefully the original diagram from the car manufacturer. DEFA A.S is not liable to compensate for possible damages that may occur due to faulty or insufficient installation manuals.

NOTE 1:
TO SYNCHRONISE CAN INTERFACE;
USE REMOTE!
NOTE 2:
SIDE DIRECTION INDICATORS ARE NOT
CONNECTED!



TRUNK ABOVE BATTERY



J519

NOTE!!!

REQUIRED:
- Central unit rev: E
- Diodes (1 x 600535)

OR:

REQUIRED:
- Central unit rev: F →
- SoftWare: see www.defa.com/flash
- Diodes (1 x 600535)

CAN WIRES: GRY COVERED CONNECTOR C ON J519
CAN HIGH: (ORG/GRN) C15
CAN LOW: (ORG/BRN) C14

Date : 2004.06.25
Rev : C
Page: 1 of 2

